

Silicone enclosures for mounting of adjustable thermostats on flexible silicone heaters surface. Assembly by bonding or vulcanization.


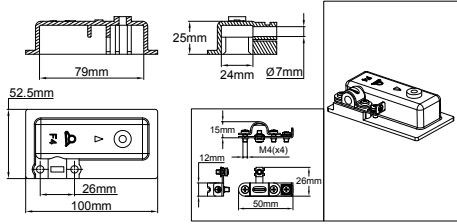


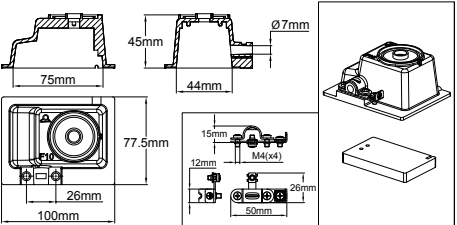


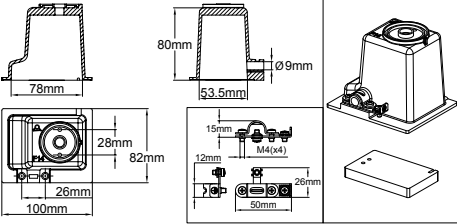



Because of permanent improvement of our products, drawings, descriptions, features used on these data sheets are for guidance only and can be modified without prior advice

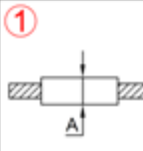
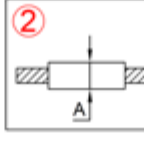
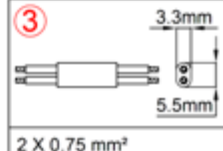
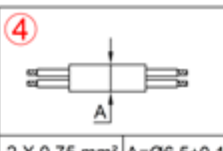
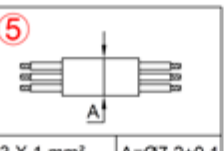
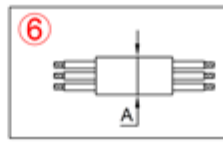
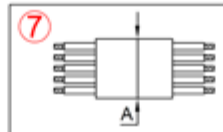
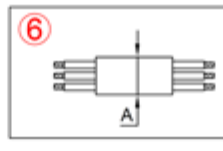
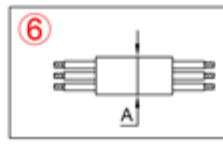
Type

9BFF

These enclosures include a stainless-steel removable locking device for the power cable and an internal and external grounding terminal. Some models also include a thick insulating silicone foam pad to thermally insulate the thermostat body from the temperature of the heater. The models for bulb and capillary thermostat have a lateral outlet for the capillary. The flexibility of the silicone makes it possible to use cables with a diameter slightly greater (up to 15%) than that of the passage opening.

Type	Dimensions	Compatible devices	Features	Part number
		 IB	Minimum band width: 100mm Connection: external cable Silicone resin filling: no	9BFF4
		 8G	Minimum band width: 100mm Connection: external cable and external bulb and capillary Silicone resin filling: no	9BFF10
		 8C	Minimum band width: 100mm Connection: external cable and external bulb and capillary Silicone resin filling: no	9BFF14

Indicative table of cable and wire diameters

 <p>①</p>	AWG22 A=Ø1.4±0.1	 <p>②</p>	0.5 mm ² A=Ø1.5±0.1	 <p>③</p>	
	AWG20 A=Ø1.6±0.1		0.75 mm ² A=Ø1.8±0.1		
	AWG18 A=Ø1.9±0.1		1 mm ² A=Ø1.9±0.1		
	AWG16 A=Ø2.2±0.1		1.5 mm ² A=Ø2.2±0.1		
	AWG15 A=Ø2.3±0.1		2 X 0.75 mm ²		
 <p>④</p>	2 X 0.75 mm ² A=Ø6.5±0.1	 <p>⑤</p>	 <p>⑥</p>	3 X 1.5 mm ² A=Ø9.1±0.2	
	2 X 1 mm ² A=Ø6.8±0.1			3 X 1 mm ² A=Ø7.2±0.1	3 X 1 mm ² A=Ø7.4±0.2
 <p>⑦</p>	3 X 1.5 mm ² A=Ø8.4±0.1	 <p>⑥</p>	 <p>⑥</p>	3 X AWG18 A=Ø7.8±0.2	
				3 X AWG16 A=Ø8.4±0.2	3 X AWG16 A=Ø8.4±0.2
					5 X 1.5 mm ² A=Ø11.1±0.2
				5 X 1 mm ² A=Ø9.0±0.2	
				5 X AWG18 A=Ø9.3±0.2	
				5 X AWG16 A=Ø10.1±0.2	

- ①: Round wires FEP insulation, 300V, dimensions USA;
- ②: Round wires FEP insulation, 300V, European dimensions;
- ③: Flat cable PVC insulation, 300V, European dimensions;
- ④: Round cables 2 conductors PVC insulation, 300V, European dimensions;
- ⑤: Round cables 3 conductors PVC insulation, 300V, European dimensions;
- ⑥: Round cables 3 conductors rubber insulation 300V, European and USA dimensions.
- ⑦: Round cables 5 conductors rubber insulation 300V, European and USA dimensions.